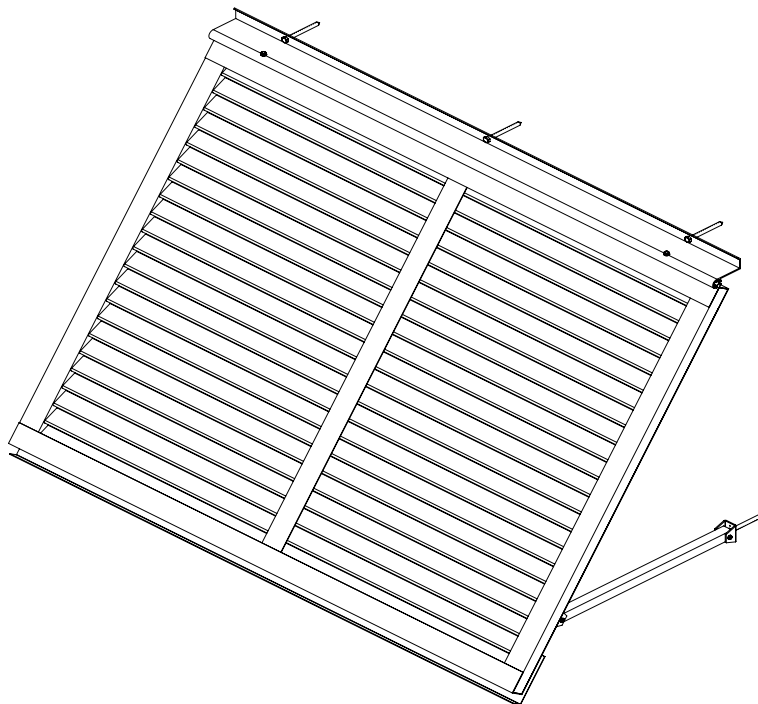




A Caribbean Shutter can take even the most mundane structure and instantly transform its look into a place of interest. These shutters provide functional shade and are often used as a branding element. Other features include commercial grade aluminum extrusion construction, highly adaptable to different surfaces, and powder coated (AAMA 2604) or Kynar (AAMA 2605) finishes. Stand out from all others with Caribbean Shutters! **Made in the U.S.A.**





OPTION VIEWS

