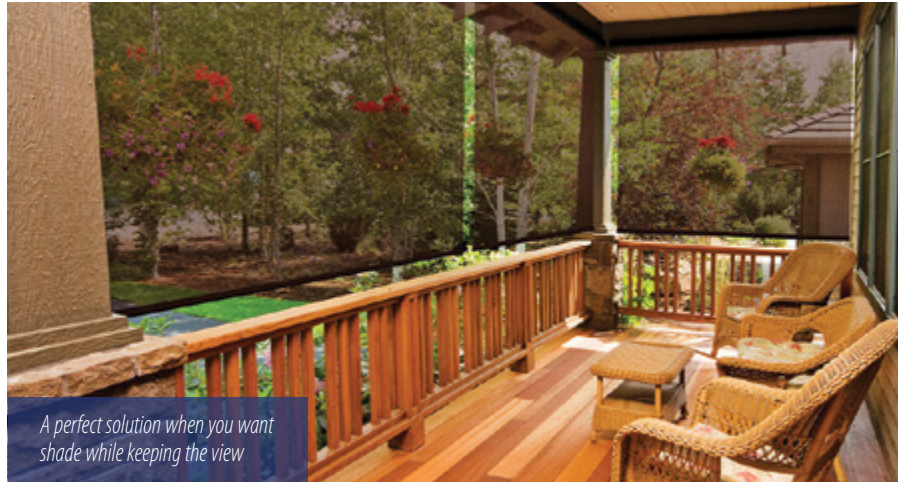




- Controls solar heat gain, light & glare
- Various installation options available

# Nulmage® Non-Zip System

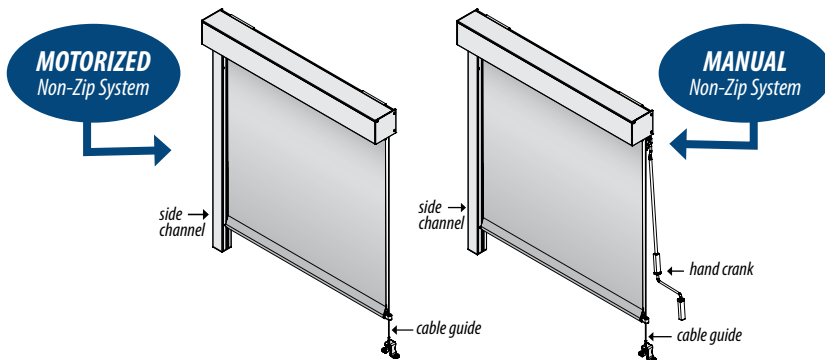
SHADE SOLUTIONS  
FOR SOLAR CONTROL



A perfect solution when you want shade while keeping the view



- Excellent solar control for patio and porch openings.
- Available in sizes up to 16' wide and/or 11' tall.
- Flexshade Non-Zip 92 is available with either side channels or side cables, and is manual or motorized.
- Flexshade Non-Zip 127XL is available with side cables and is motorized.
- Two head box cassette styles, dozens of mesh fabrics and six frame colors.
- Not intended for insect control.



## THE FLEXSHADE NON-ZIP SYSTEM

CHOOSE SIDE CHANNELS OR CABLES TO KEEP YOUR NON-ZIP SHADE IN PLACE IN LIGHT BREEZES. UNLIKE THE ZIP SYSTEM, THE FABRIC IS NOT SIDE-SECURED AND SHOULD NOT BE LOWERED IN WINDY CONDITIONS.

Comprehensive warranty: See [NulmagePro.com](http://NulmagePro.com) for complete details.

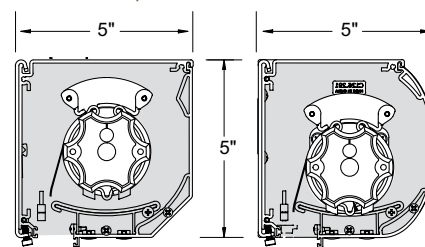
## COLOR CHOICES

Select from 6 powder coated frame colors



### FlexShade Non-ZIP 127XL:

Custom sizes up to 16' wide and/or 11' tall

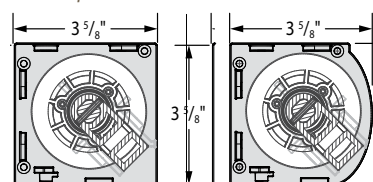


Non-ZIP 127XL square headbox (side view)

Non-ZIP 127XL curved headbox (side view)

### FlexShade Non-ZIP Shade System:

Sizes up to 11' wide and/or 11' tall



Non-ZIP 92 Motorized or Manual Operation square headbox (side view)

Non-ZIP 92 Motorized Operation only curved headbox (side view)

# Smooth, quiet functionality at the push of a button!

SOMFY® BRAND MOTORS AND REMOTE CONTROL SYSTEMS HAVE RESHAPED THE INDUSTRY!  
FROM SINGLE BUTTON CONTROL TO A FULL HOME AUTOMATION INTERFACE,  
SOMFY HAS THE PERFECT SOLUTION!



## somfy®

Somfy® Motor Systems has proven its quality with over 270 million happy customers. That's pretty impressive! And, that's why Nulmage Pro® has chosen Somfy exclusively for the motorization and functionality of our Exterior Screen Systems.



### Somfy® myLink™ App for your mobile devices

Harness the power of your Flexshade Screen Systems using a smart phone or tablet! Download the app and easily control your motorized shade systems remotely with just a simple tap. Somfy® helps to maximize your energy savings, UV protection, and privacy while you're away from home.



### Ondeis™ WireFree RTS Rain and Sun Sensor

Wireless, solar-powered technology! This sensor opens and closes your shades automatically by assessing rainfall and sun measurements.