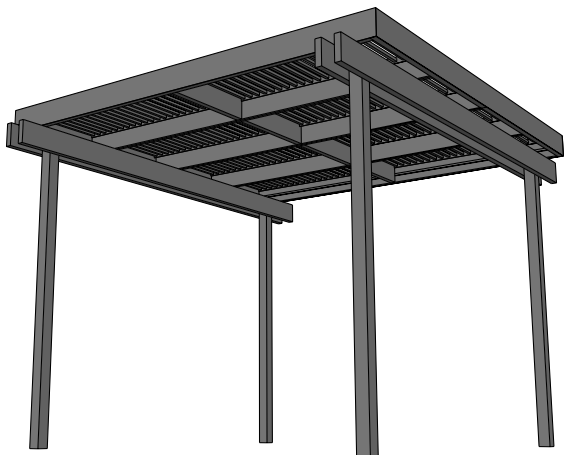




The Tuscany system provides an inviting protective covering for outdoor patio spaces. It is an open frame trellis system with post and beam supports. It can accept multiple styles of drop-in “in-fill” panels that can provide either sun or rain protection. Other features include; commercial grade aluminum extrusion construction, mechanical system with hidden fasteners, many face options, integrated LED lighting options and Powder Coated (AAMA 2604) or Kynar (AAMA 2605) finishes. **Made in the U.S.A.**

STANDARD CONFIGURATIONS

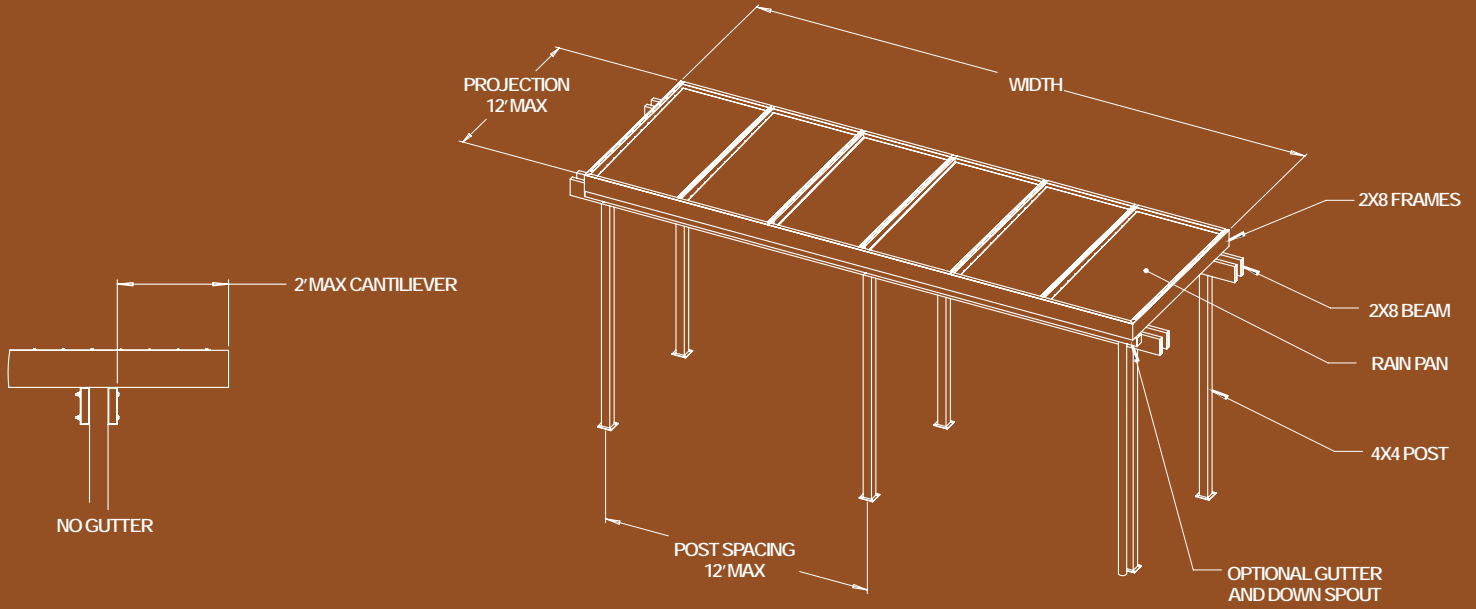


TUSCANY WITH SHADE SLATS

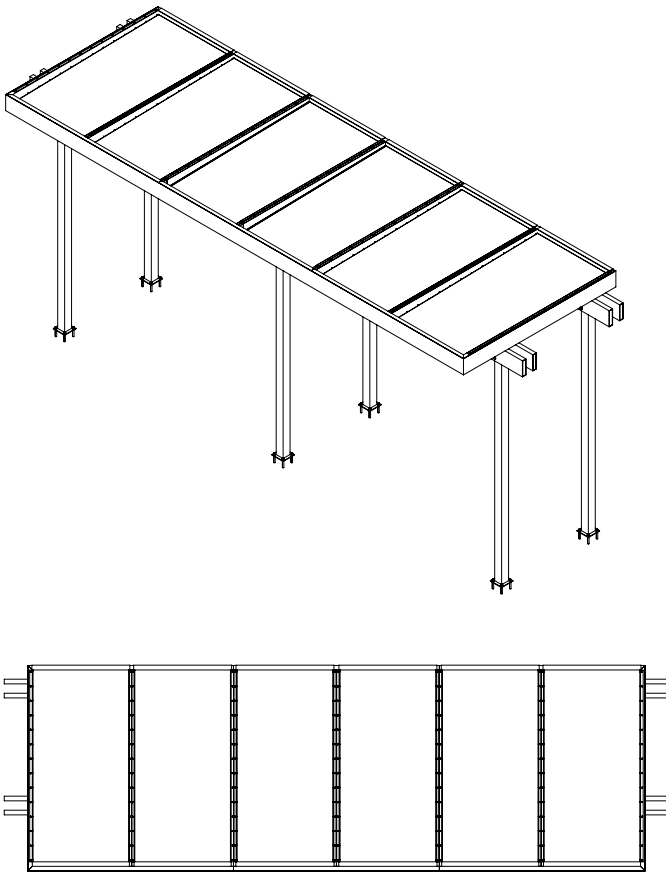


TUSCANY WITH RAIN PANS

STANDARD SIZES



ISOMETRIC VIEW



PANEL OPTIONS

